



CAS-42T

The LDA CAS-42T is a high-performance loudspeaker for professional use. Made of high-strength aluminium, it has outdoor protection and anti-vandal protection thanks to its robust design.

Its acoustic characteristics are of very high quality, thanks to its two 4" full-range polypropylene speakers and its 1.5" tweeter, interconnected by a high-quality crossover filter.

The CAS-42T has a low-loss impedance transformer for connection to 70 and 100V public address lines. The transformer has several outputs, which will allow the power to be easily adapted to the final location of the unit. Its output for connection has a watertight cable gland, to guarantee its protection outdoors.

Includes adjustable U support. Optionally, it has different types of support to adapt to the needs of each installation.

LDA's CAS-42T is ideal for achieving high-performance acoustic solutions, in locations with a large influx of public, and exposure conditions to both weather agents and the general public, such as: Parking lots, platforms, warehouses, stadiums, service corridors, technical rooms, etc.

Functional features:

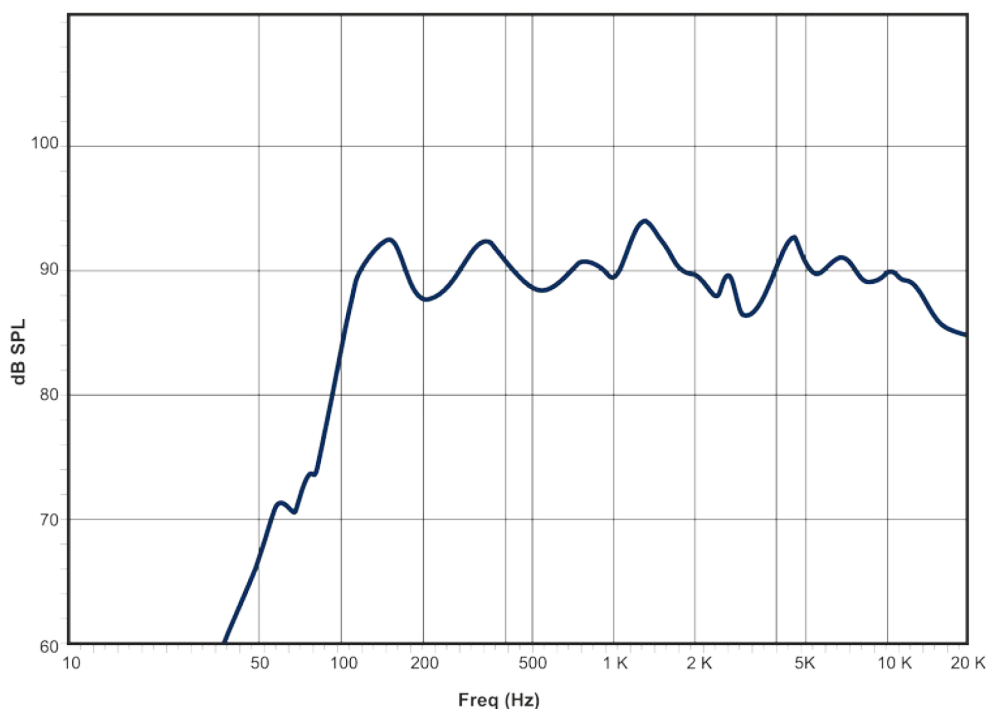
- Anti-vandalism characteristics.
- Made of aluminum.
- Acoustically transparent and resistant metal grille
- IP44 protection degree
- Great reproduction quality for music and voice
- Integrates 2x Full Range 4" polypropylene + 1x 1.5" tweeter
- Crossover filter
- Transformer for 70/ lines 100V
- Different types of support

CAS-42T

TECHNICAL CHARACTERISTICS	
RATED POWER	20W RMS
FREQUENCY RESPONSE	100Hz- 20kHz
SENSITIVITY	89dB +/-3dB (1W, 1m)
SPL MAX. PICO	102dB
DISPERSION	120° horizontal 90° vertical
MATERIAL	Aluminium
IP PROTECTION DEGREE	IP 44
TRANSFORMER (70V)	5 / 10 W
IMPEDANCE	1000 / 500 Ω
FIXATION	Adjustable U-bracket (included)
STANDART COLORS	Gray RAL 7030
DIMENSIONS (WIDTH X HEIGHT X DEPTH)	151 x 378 x 125 mm
WEIGHT	2,9 kg

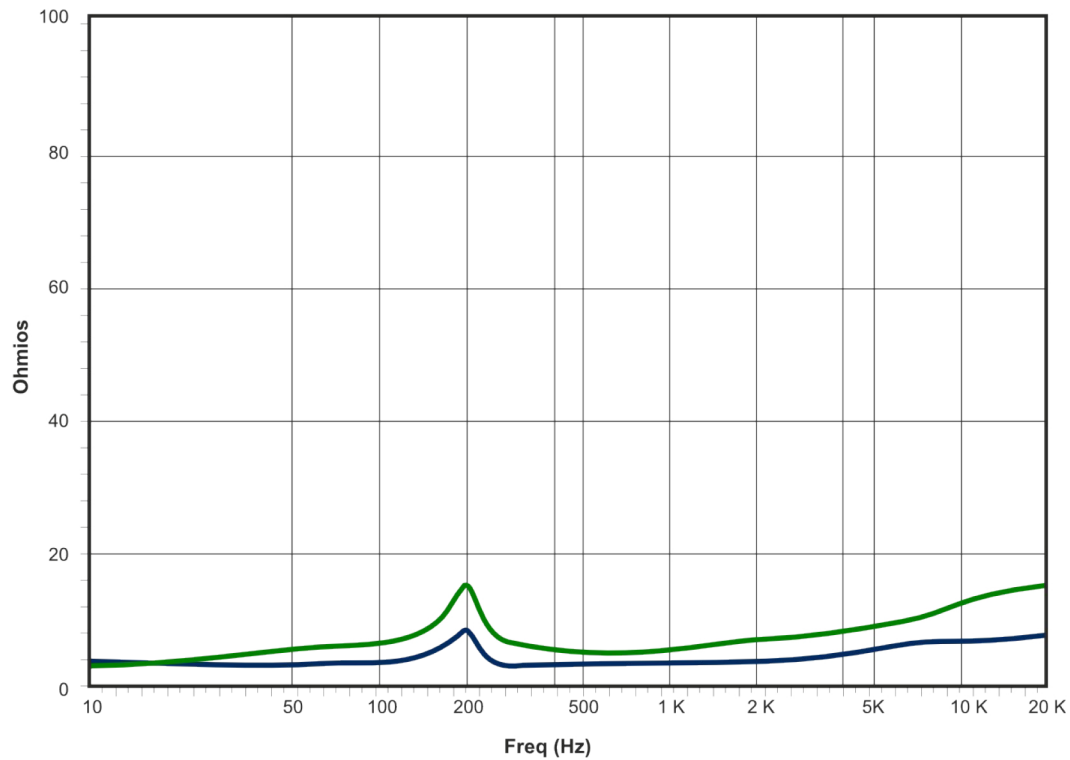
ADDITIONAL PRODUCT INFORMATION:

Frequency response:

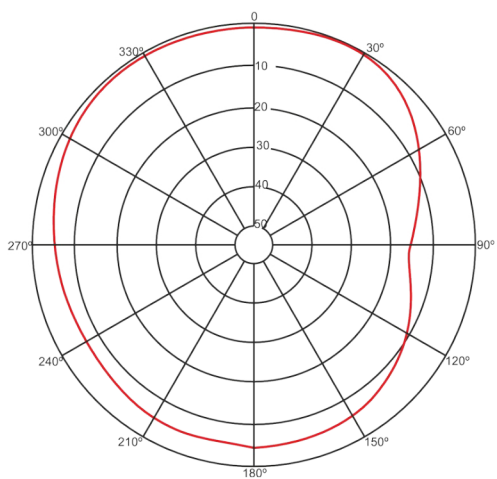


Additional product information:

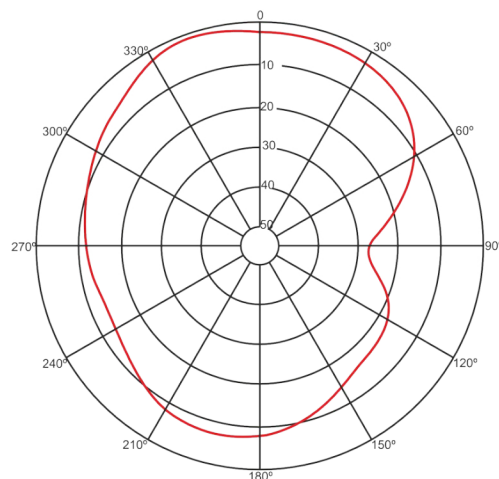
Impedance:



Polar Diagram (Frequency: 1 KHz):



Horizontal

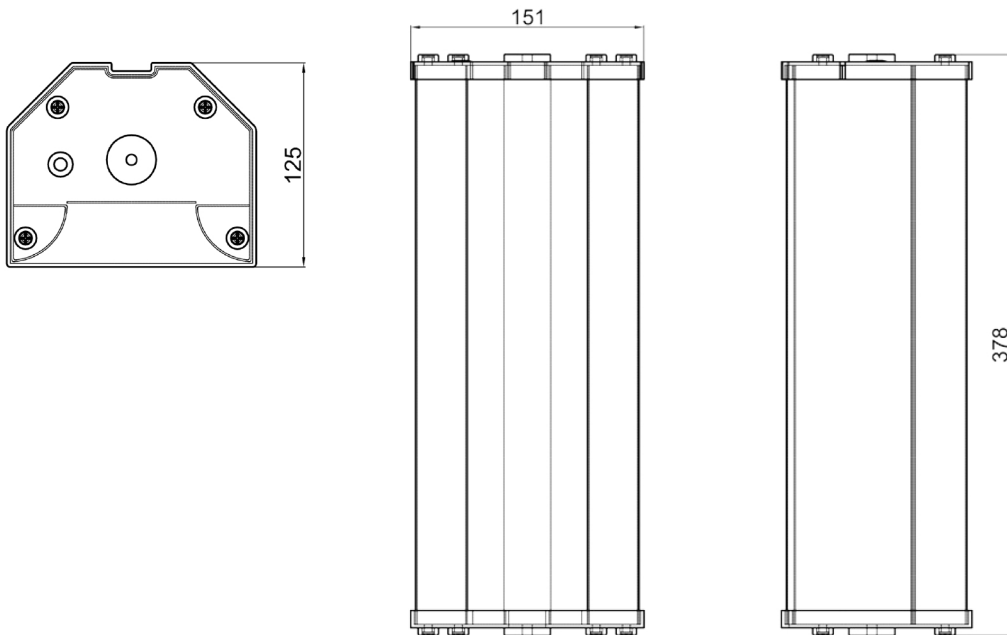


Vertical

CAS-42T

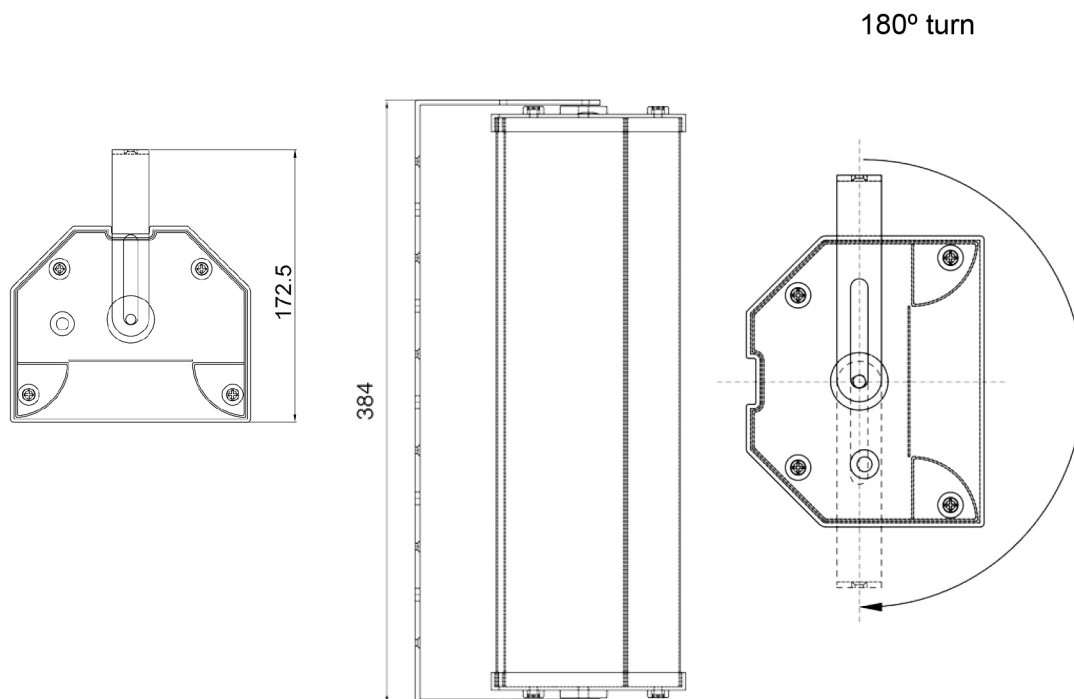
Mechanical drawings:

Dimensions in mm



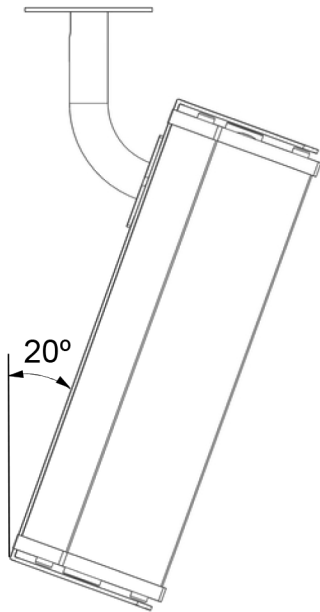
Dimensions with U-bracket (bracket included):

Support code: LDAMECAS42T19B



CAS-42T

Optional Supports:



Inclination of the box
with respect to
the vertical: 20°

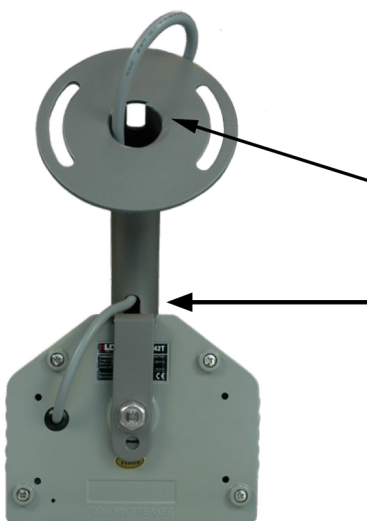


Support code:
LDAMECAS42T19



Support code:
LDAMECAS42T19C

Assembly top view:

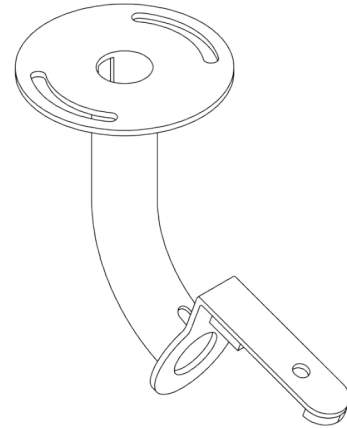
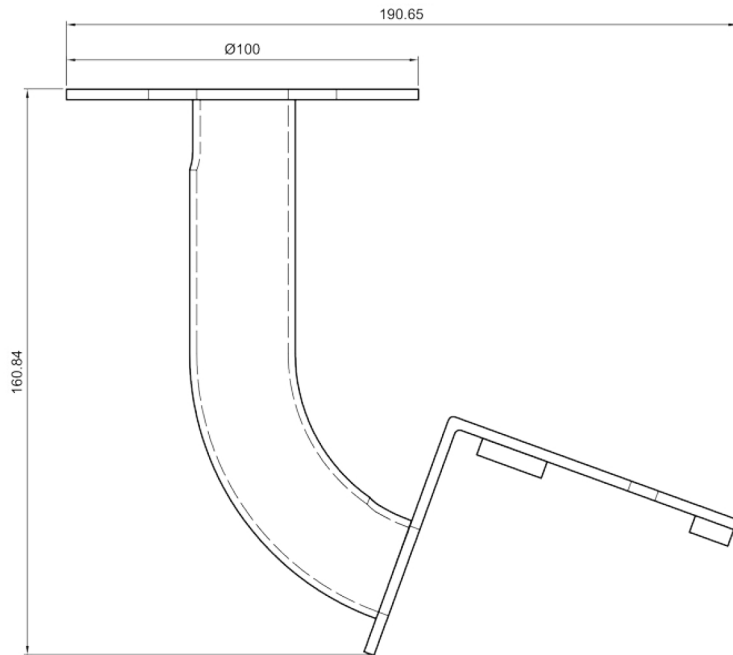


Both supports
include slots that
allow the passage
of the connection cable.

CAS-42T

LDAMECAS42T19:

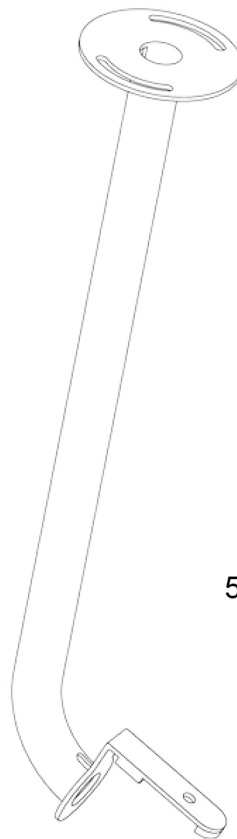
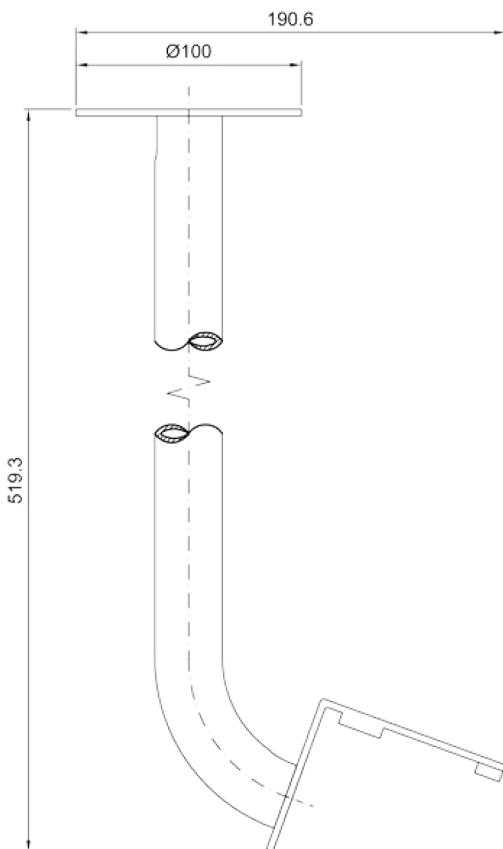
Allows installation at a height of 130 mm from the ceiling



**DIMENSIONS
MAXIMUM:**
(height x width x depth)
160.84 x 100 x 190.65 mm



LDAMECAS42T19C:

Allows installation at a height of 500 mm from the ceiling.



**DIMENSIONS
MAXIMUM:**
(height x width x depth)
519.3 x 100 x 190.65 mm

CAS-42T

 LDA audiovideoprofesional	CAS-42T
CONNEXIONS	Code : LDACAS42TS01
Black : COM	Lot : 201113
White : 10W @ 70V / 20W @ 100V	EN 54-24
Green: 5W @ 70V / 10W @ 100V	Ambiente: Tipo B
Maximum Power: 20W rms	
Sensitivity 92 dB (1W, 1m)	

CAS-42T

Specifications for Architects and Engineers

The LDA professional acoustic box model CAS-42T will consist of two 4" full range drivers and a 1.5" tweeter that will be interconnected by crossover filter. It will allow its high impedance connection to 70 and 100 V lines through a low-loss impedance transformer with available 20 and 10 W sockets for 100V lines, and 10 and 5 W for 70V lines. Its frequency response will be from 100Hz to 20 KHz with a sensitivity of 89dB +/-3dB measured at 1 W 1 m. Its dispersion will be 120° horizontally and 90° vertically with a drop of 3dB at 1KHz.

Its construction will have anti-vandalism characteristics, and with IP-44 weather protection. Its shape will be a regular prism with a ½ octagon base with an extruded section face. It will use aluminum in the manufacture of the casing of the unit. The speakers that it will integrate will be made of polypropylene, resistant to the action of humidity. The connection will be made through a cable with an output through a waterproof cable gland. The grille will be robust and acoustically transparent. It will have a U-shaped support, which allows its installation both vertically and horizontally in a simple way, and its orientation in 270°. Optionally, it can be installed with supports for its vertical installation with an inclination angle of 20° with respect to the horizontal and different lengths.

The total weight of the unit will be 2.9Kg and its color will be RAL 7030 grey.

This product will comply with the CE marking and will be designed in accordance with the requirements of the EN-UNE 54-24 standard.

Product code LDACAS42TS01

Specifications for Architects and Engineers

Speaker Measurement:

1. Power

Full-bandwidth pink noise conforming to the IEC 60268-5 standard is introduced and amplified up to the recommended speaker power. The loudspeaker must show no visible damage or loss of performance after 100 hours of operation.

2. Sensitivity and Frequency Range

Pulses of sinusoidal signals of different frequencies are introduced at a level that would correspond to 1 watt, taking as reference the nominal impedance of the loudspeaker. Sound Pressure Average (dB-SPL) is measured one meter from the speaker in an anechoic environment.

3. Impedance

Pulses of sinusoidal signals of different frequencies are introduced at a level that would correspond to 1 watt, taking as reference the nominal impedance of the loudspeaker. Impedance average (dB-SPL) is measured in an anechoic environment.

According to IEC 60268-5 and IEC 60268-11 standards.